

Application Note

No.13

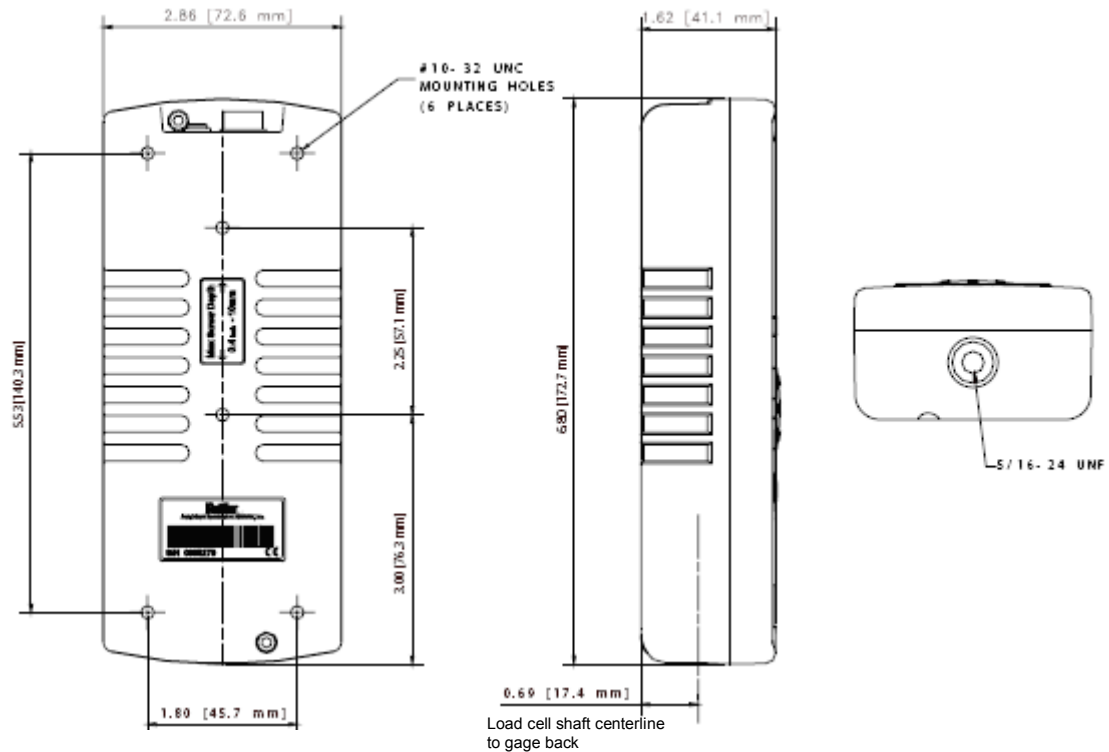
2/2/2010

By: KRD

Chatillon Gage Dimensions

Current Models

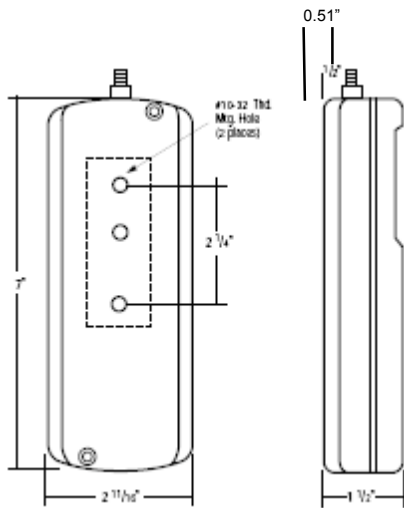
Current model digital gages can be mounted with either the four corner mounting holes or the two vertical centrally located mounting holes. It is recommended that only the four corner hole be used for gages rated 500 lbf.



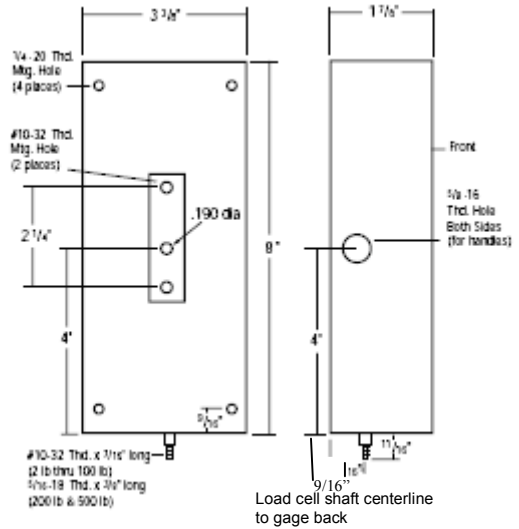
DFX, DFE, E-DFE, DFS, FCE, and MSC series

Application Note

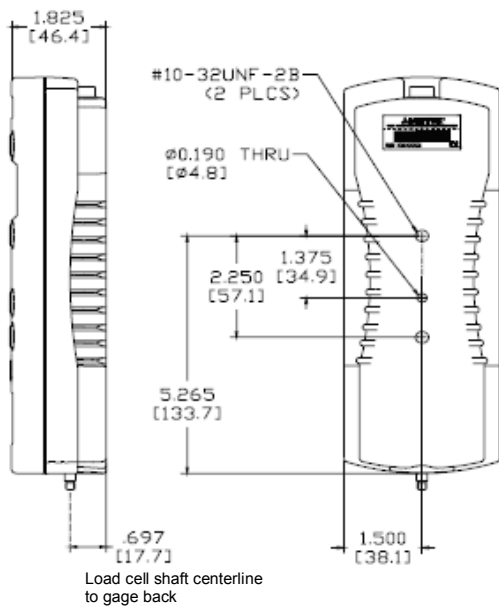
Obsolete Gages



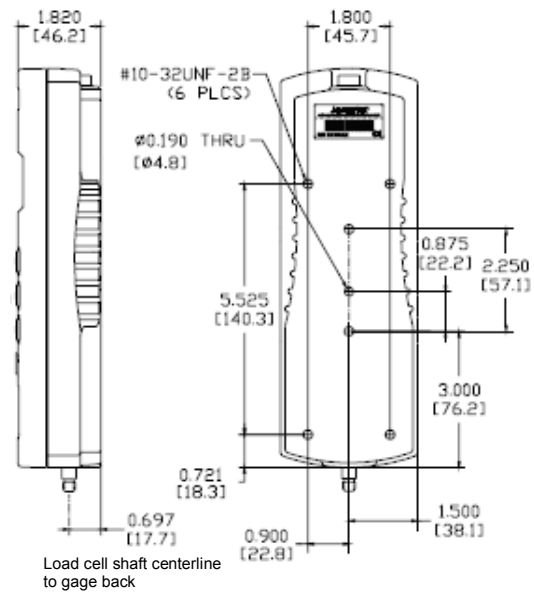
DFM series



DFI and DFIS series



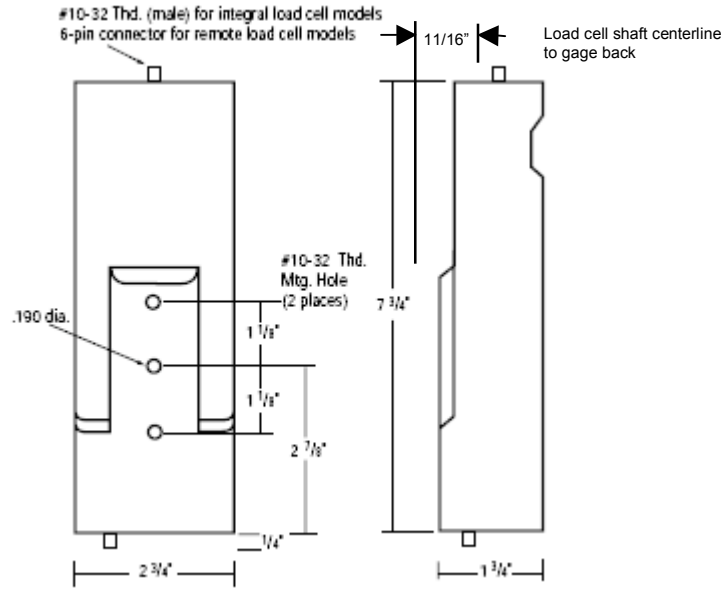
DFA Series



DFT Series

Application Note

Obsolete Models Continued



DFG, DFGHS, & DFGS Series